

Application Note 1007

P-Series Twinning Wiring

Table of Contents

P-Series Twinning3

P-Series Twinning

1. Only 24,000 and 36,000 BTU units can be twinned.
2. The two indoor units must equal the capacity of the outdoor unit when added together.
3. Indoor units must be in the same conditioned space since the two return air temperature sensors will be averaged for the space temperature control.
4. The indoor units must be powered from the outdoor unit in a daisy chain fashion as shown in Figure 1.

Note: * A disconnect switch (part# TAZ-MS303) may be required by local code at the indoor unit.

**** Use a ring tongue terminal to connect ground wire and AWG 12 wire to terminals.**

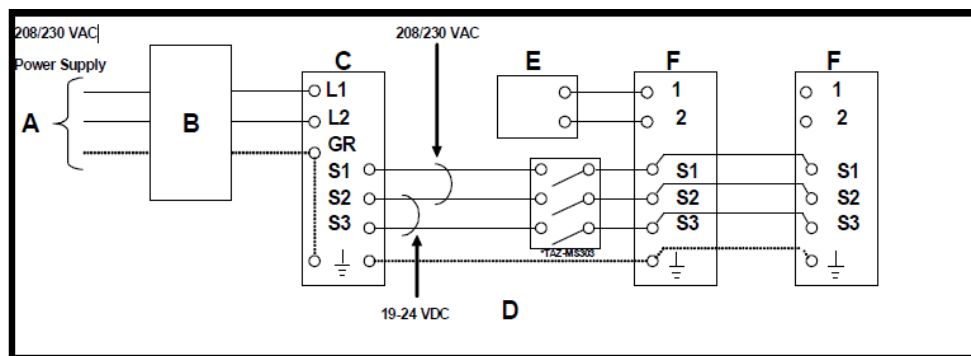


Figure 1. Simultaneous Twin Operation

- A=** Outdoor unit power supply
- B=** Wiring circuit breaker or isolating switch
- C=** Outdoor unit
- D=** Indoor unit/Outdoor unit connecting wiring
- E=** Remote Control
- F=** Indoor unit

CONNECTING WIRES AND CONNECTING GROUND WIRE

- Use a solid conductor or stranded conductor AWG14-3.
- Use doubled insulated copper wire with 600 volt insulation.
- Use copper conductors only.
- Follow national and local electrical code.

POWER SUPPLY CABLE AND GROUND WIRE

- Use solid or stranded conductor AWG12** or AWG14 wire.
- Use solid or stranded conductor AWG14 wire only on S3 communication terminal.
- Use copper conductors only.
- Follow national and local electrical code.

**Note: All wiring shall comply with NEC and local electrical codes.
Refer to installation manual for more details.**