

Application Note 1001

P-series Control Wiring Diagram

Table of Contents

Indoor unit power supplied from the outdoor unit.....3

Indoor unit power supplied from the outdoor unit.

Note: Use of a disconnect at the indoor unit (part# TAZ-MS303) may be required in your jurisdiction.

Use AWG14-3 600 VAC rated copper wiring between outdoor unit and indoor unit for high voltage and control circuits.

P-Series units in a CITY MULTI application may only be grouped with P-Series units. Refer to the PAR-33MAA technical manual for grouping information.

Figure 1 and Figure 2 illustrate available connection patterns.

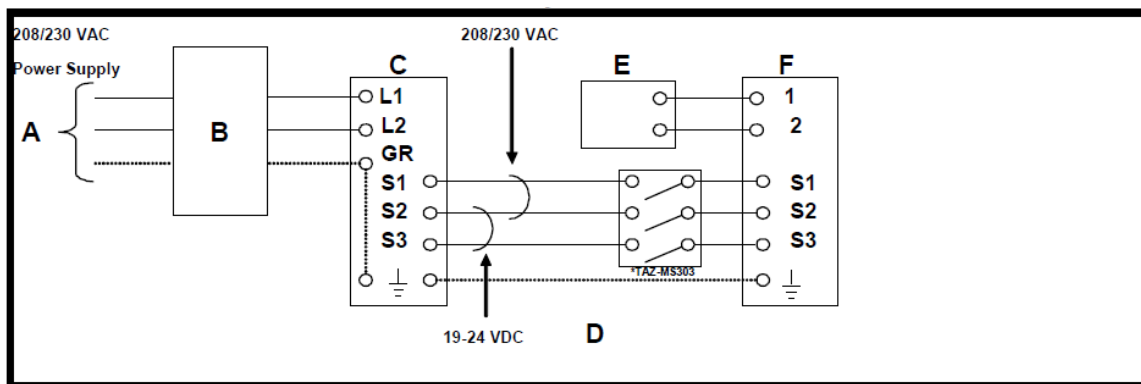


Figure 1. 1:1 System

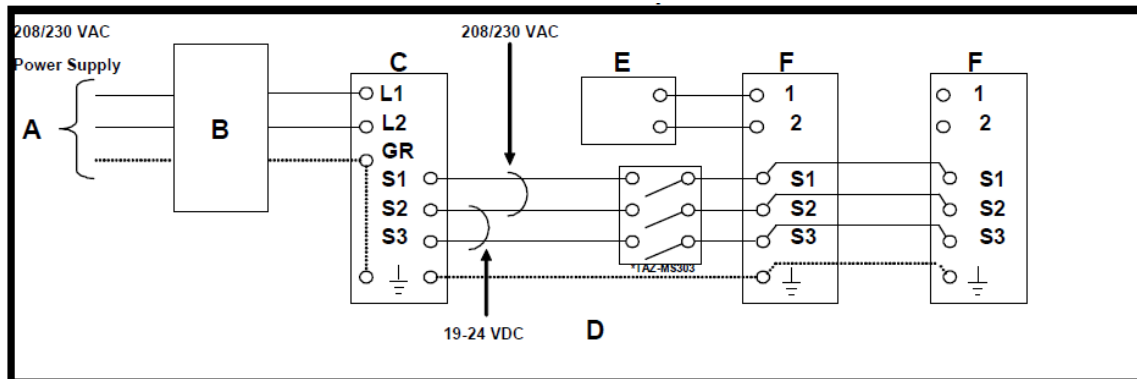


Figure 2. Simultaneous Twin Operation

- A= Outdoor unit power supply
- B= Wiring circuit breaker or isolating switch
- C= Outdoor unit
- D= Indoor unit/Outdoor unit connecting wiring
- E= Remote Control
- F= Indoor unit

Note: All wiring shall comply with NEC and local electrical codes. Refer to unit installation manual for more details.