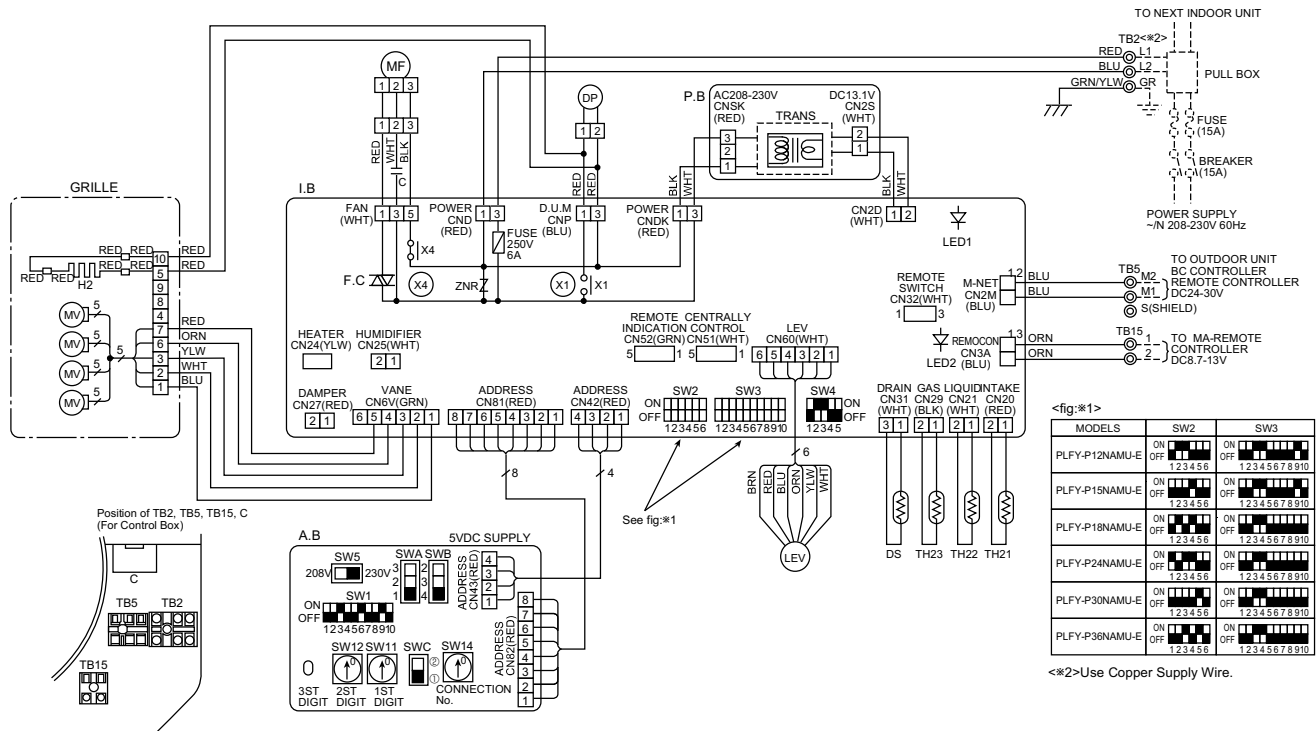


# 6

# WIRING DIAGRAM

PLFY-P12NAMU-E    PLYF-P24NAMU-E  
 PLYF-P15NAMU-E    PLYF-P30NAMU-E  
 PLYF-P18NAMU-E    PLYF-P36NAMU-E



<fig.\*1>

MODELS	SW2	SW3
PLFY-P12NAMU-E	ON OFF 123456	ON OFF 12345678910
PLFY-P15NAMU-E	ON OFF 123456	ON OFF 12345678910
PLFY-P18NAMU-E	ON OFF 123456	ON OFF 12345678910
PLFY-P24NAMU-E	ON OFF 123456	ON OFF 12345678910
PLFY-P30NAMU-E	ON OFF 123456	ON OFF 12345678910
PLFY-P36NAMU-E	ON OFF 123456	ON OFF 12345678910

<.\*2>Use Copper Supply Wire.

### Notes:

- At servicing for outdoor unit, always follow the wiring diagram of outdoor unit.
- In case of using MA-Remote controller, please connect to TB15. (Remote controller wire is non-polar.)
- In case of using M-NET, please connect to TB5. (Transmission line is non-polar.)
- Symbol [S] of TB5 is the shield wire connection.
- Symbols used in wiring diagram above are, ⊙ : terminal block, □ : connector.
- The setting of the SW2 /SW3 dip switches differs in the capacity for the detail, refer to the fig : \*1.
- Please set the switch SW5 according to the power supply voltage. Set SW5 to 230V side when the power supply is 230 volts. When the power supply is 208 volts, set SW5 to 208V side.

### LED on indoor board for service

Mark	Meaning	Function
LED1	Main power supply	Main power supply (Indoor unit:208-230V) power on → lamp is lit
LED2	Power supply for MA -Remote controller	Power supply for MA -Remote controller on → lamp is lit

### [ LEGEND ]

SYMBOL	NAME	SYMBOL	NAME
A. B	CIRCUIT BOARD (ADDRESS)	P. B	INDOOR POWER BOARD
SW1	SWITCH MODE SELECTION	C	CAPACITOR (FAN MOTOR)
SW5	VOLTAGE SELECTION	DP	DRAIN WATER LIFTING-UP MACHINE
SW11	ADDRESS SETTING 1ST DIGIT	DS	DRAIN SENSER
SW12	ADDRESS SETTING 2ND DIGIT	H2	DEW PREVENTION HEATER
SW14	CONNECTION No.	LEV	LINEAR EXPANSION VALVE
SWA	CEILING HEIGHT SELECTOR	MF	FAN MOTOR (WITH INNER THERMOSTAT)
SWB	DISCHARGE OUTLET NUMBER SELECTOR	MV	VANE MOTOR
SWC	OPTION SELECTOR	TB2	TERMINAL
I. B	INDOOR CONTROLLER BOARD	TB5	BLOCK TRANSMISSION
CN24	CONNECTOR HEATER	TB15	MA-REMOTE CONTROLLER
CN25	HUMIDIFIER	TH21	THERMISTOR ROOM TEMP. DETECTION (32°F/15kΩ, 77°F/5.4kΩ.)
CN27	DAMPER	TH22	PIPE TEMP. DETECTION/LIQUID (32°F/15kΩ, 77°F/5.4kΩ.)
CN32	REMOTE SWITCH	TH23	PIPE TEMP. DETECTION/GAS (32°F/15kΩ, 77°F/5.4kΩ.)
CN51	CENTRALLY CONTROL		
CN52	REMOTE INDICATION		
F. C	FAN PHASE CONTROL		
FUSE	FUSE (6A/250V)		
SW2	SWITCH CAPACITY CODE		
SW3	MODE SELECTION		
SW4	MODEL SELECTION		
X1	AUX. RELAY DRAIN PUMP/DEW PREVENTION HEATER		
X4	FAN MOTOR		
ZNR	VARISTOR		