

Creation date : 04/06/2012    **Customer :** MITSUBISHI    **Criteria :** 3000    **Doc. N° :** A 480 - 2

**Sauermann part N° :** SI3000MIUS11    **Customer part :** 4563

**Technical datas :**

**Max flowrate :** 5 gph  
**Max discharge :** 1 gph @ 33 ft  
**Max suction :** 10 ft

**Input power :** 14 W  
**Alarm contact :** NC - 250V / 8A resistive  
**Voltage / Frequency :** 120V~ 60Hz

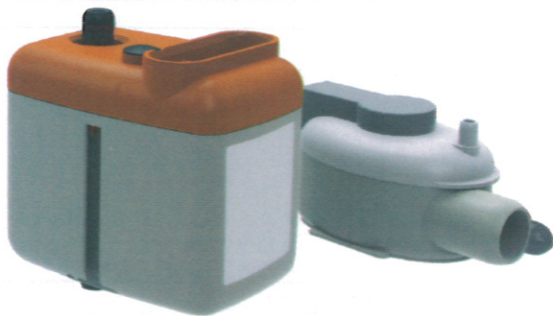
**Content :**

**Pump block :** SI3009US-11  
**Detection block :** SI2958.000  
**Installation leaflet :** N729/05 + N005/03

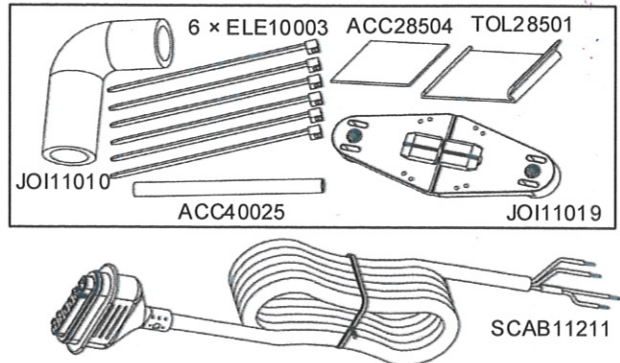
**Accessories :**

- SCAB11211  
 - SI2852

**Product picture :**



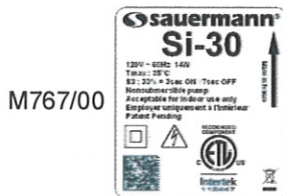
**SI2852 content**



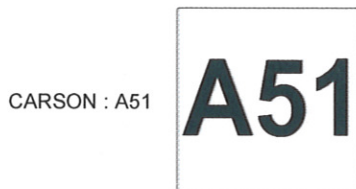
**Marking A :**

Identification  
 A □ □ □ □ - F □ □ □ □ □ □  
 Année Semaine Numéro Série Ordre de fabrication

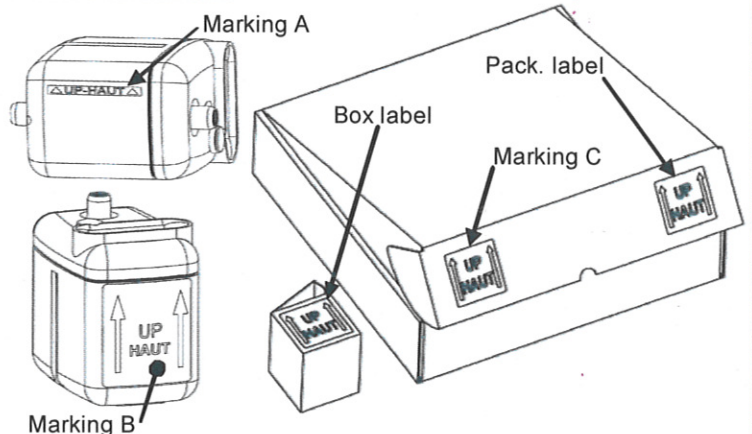
**Marking B :**



**Marking C :**



**Marking position:**



**Box label reference :** E764/00



**Conditioning :**

**Box ref. :** EMB30001  
**Qty / box :** 1  
**Gross weight :** 0,402 kg

**Palettisation :** CONS123  
**Qty. items / Palette :** 500  
**Gross weight :** 234 kg

**Packaging :**

**Pack. ref. :** EMBS0025  
**Qty / pack. :** 25  
**Gross weight :** 10,750 kg

**Packaging label reference :** S764/00



**Customer visa :**    **Sales visa :**    **Quality Visa :**    **R & D director visa :**    **Process visa :**    **Manufacturing visa :**

Date :    Date :    Date : 12.06.2012    Date : 12 JUN 2012    Date : 12 JUN 2012    Date : 12/06/12