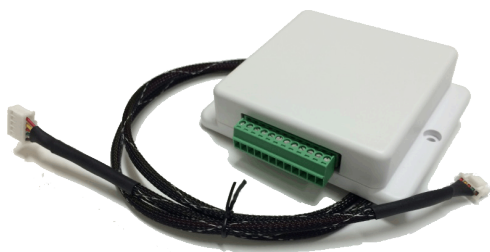


# PAC-US444CN-1

Job Name:

System Reference:

Date:



PAC-US444CN-1

## TERMINALS:

Connector	Purpose	Purpose
TC	Common (In)	To Transformer
C	Common (Out)	To Thermostat
TR	24VAC (In)	To Transformer
R	24VAC (Out)	To Thermostat
G3	Fan High	High Fan Speed
G2	Fan Medium	Medium Fan Speed
G1	Fan Low	Low Fan Speed
Y2	Y2	Stage 2 Cooling
Y1	Y1	Stage 1 Cooling
W2	W2	Stage 2 Heating
W1	W1	Stage 1 Heating
G	G	Fan

## SPECIFICATIONS:

- Allows a HVAC Thermostat or I/O Controller to control a Mitsubishi Electric Cooling & Heating CITY MULTI® or M-Series or P-Series indoor unit.
- One Thermostat Interface per indoor unit
- Indoor unit modes: Cool, Heat, Fan, and Off
- Provides 3 input terminals to control fan speed control:
  - High
  - Medium
  - Low
- Addressing: No addressing required
- Connection: CN105 - IT Terminal
- Thermostats Tested:
  - Nest®
  - Honeywell®
  - Lyric®
  - INNCOM® with fan speed control
- Dimensions: (H x W x D) 3.96 in x 3.17 in x 0.93 in
- Terminal Block: 20-30 VAC Rated

## REQUIREMENTS:

- Compatible Mitsubishi Electric indoor unit
  - See compatibility chart on page 3H
- VAC Thermostat or I/O Controller (field supplied)
- 24VAC circuit for HVAC Thermostat (field supplied)

## ADVANCED FEATURES:

- Delayed Off Adjustable Setting
  - 0, 5 (default), 10, or 30 minutes
- Fan Speed
  - Auto (Default, more efficient than Custom Auto)
  - Medium
  - High
  - Custom Auto (more comfortable than Auto)
- Static Pressure Adjustable Setting
- Set Fan & CN24 operation during Defrost
- Set fan speed in thermal off for heating mode
- INVERTER operation settings:
  - Optimized variable capacity (Preferred)
    - o Conventional 2H/2C thermostat
- Auto recovery after power failure

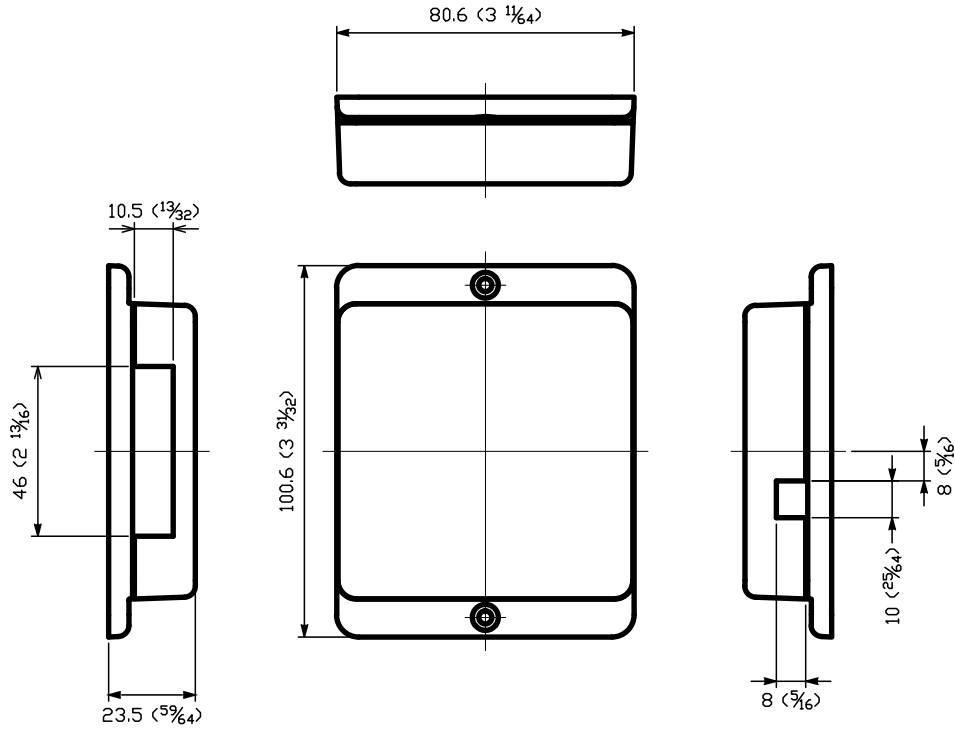
## ACCESSORIES:

- Transformer (VPL24-210)

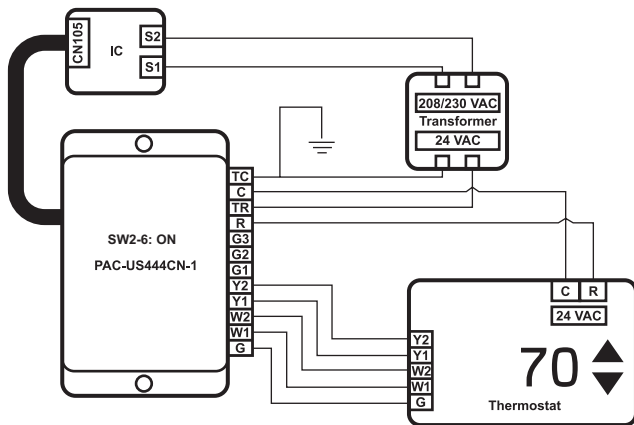
# PAC-US444CN-1: DIMENSIONS AND WIRING DIAGRAMS

## DIMENSIONS:

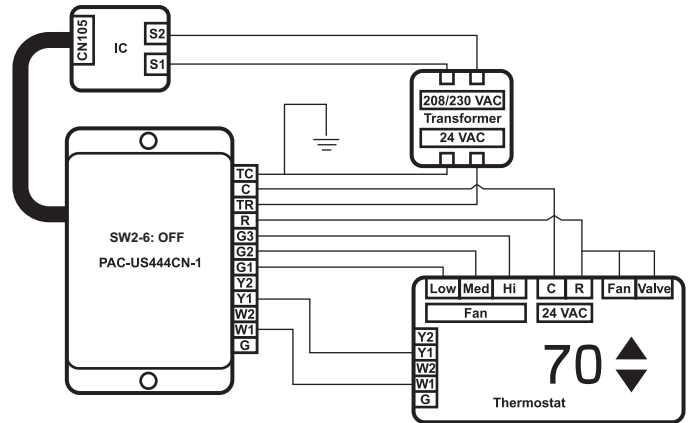
Unit: mm (inch)



## WIRING DIAGRAMS:



Two-stage Cooling and Heating



Two-stage Single-stage Cooling and Heating with Dedicated Fan Speed Relays

# PAC-US444CN-1: COMPATIBILITY CHART

PAC-US444CN-1 (Thermostat Interface) must order separately

CITYMULTI®					
<b>PMFY-NMBU</b>	(E) NO (ER5) OK (After April 2012)	<b>PLFY-NBMU</b>	(E) NO (ER2) OK (After April 2012)	<b>PV FY-E00</b>	(A) OK (B) OK (After April 2012)
<b>PEFY-NMU</b>	(NMU-E) NO (After April 2012)	<b>PLFY-NCMU</b>	(E) NO (ER4) OK (After June 2012)	<b>PV FY-NAMU</b>	(E) OK (After April 2012)
<b>PEFY-NMAU</b>	(E) NO (E2) OK (E3) OK (After April 2012)	<b>PLFY-NLMU</b>	(E) NO	<b>PKFY-NAMU</b>	(E) NO
<b>PEFY-NMHSU</b>	(E) OK (After April 2012)	<b>PCFY-VKM</b>	NO	<b>PKFY-NFMU</b>	(E) NO
<b>PEFY-NMHU</b>	(E) OK (E2) OK (After April 2012)	<b>PCFY-NGMU</b>	(E) NO	<b>PKFY-NGMU</b>	(E) NO
<b>PEFY-NMLU</b>	(E) NO	<b>PCFY-NKMU</b>	(E) NO (E.TH) NO (ER1.TH) OK (After June 2012)	<b>PKFY-NBMU</b>	(E) NO (E2) OK (After April 2012)
<b>PEFY-NMSU</b>	(E) NO (ER2) OK (After June 2012)	<b>PFFY-NEMU</b>	(E) OK (After April 2012)	<b>PKFY-NHMU</b>	(E) NO (E2) OK (After May 2012)
<b>PLFY-NAMU</b>	(E) NO	<b>PFFY-NRMU</b>	(E) OK (After April 2012)	<b>PKFY-NKMU</b>	(E) NO (E2) OK (After June 2012)

M-Series	P-Series
<b>MFZ-KA</b> OK	<b>PCA</b> (GA) NO (KA) NO (KA4) OK (KA4.TH) OK (KA6) OK
<b>MSZ/Y-A</b> NO	
<b>MSZ/Y-D</b> (NA) NO (NA-8) OK	
<b>MS-WA</b> NO	<b>PEA</b> (AA) NO (AA4) OK (AA4R1.TH) OK
<b>MSZ-FD</b> NO	
<b>MSZ-FE</b> 09, 12 (NA) NO 09, 12 (NA-8) OK 18 (NA) OK	<b>PEAD</b> (AA) NO (AA4) OK (AA5) OK
<b>MSZ-GE</b> 06 (NA) NO 06 (NA-8) OK 06 (NA-9) OK	
<b>MSZ/Y-GE</b> 09, 12, 18 (NA) NO 09, 12, 18 (NA-8) OK 09, 12, 18 (NA-9) OK 24 (NA) OK	<b>PKA</b> (HA) NO (HAL) NO (HA4) OK (HA6) OK (KA) NO (KA4) OK (KA6) OK
<b>MSZ-FH</b> OK	
<b>MSZ-HE</b> NO	<b>PLA</b> (AA) NO (BA) NO (BA-1) NO (BA4) OK (BA6) OK
<b>MVZ-AA4</b> OK	
<b>SEZ-KD</b> (NA) NO (NA4) OK	<b>PVA</b> (AA4) OK
<b>SLZ-KA</b> OK	

**Manufactured for MITSUBISHI ELECTRIC US, INC.**

1340 Satellite Boulevard, Suwanee, GA 30024

Toll Free: 800-433-4822 www.mehvac.com