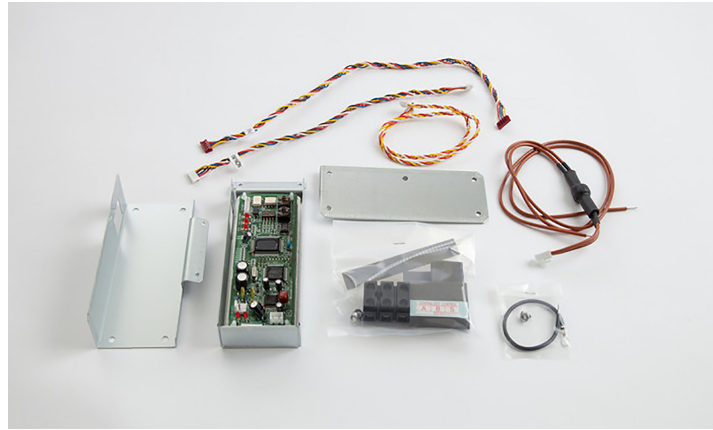


Job Name:

System Reference:

Date:

PAC-SJ95MA-E



PAC-SJ96MA-E



P-SERIES M-NET CONTROL ADAPTER

(PAC-SJ95MA-E/PAC-SJ96MA-E) SPECIFICATIONS

- Allows the P-Series outdoor units to communicate with the CITY MULTI® Controls Network
- Connects to outdoor unit
- Requires one converter per outdoor unit

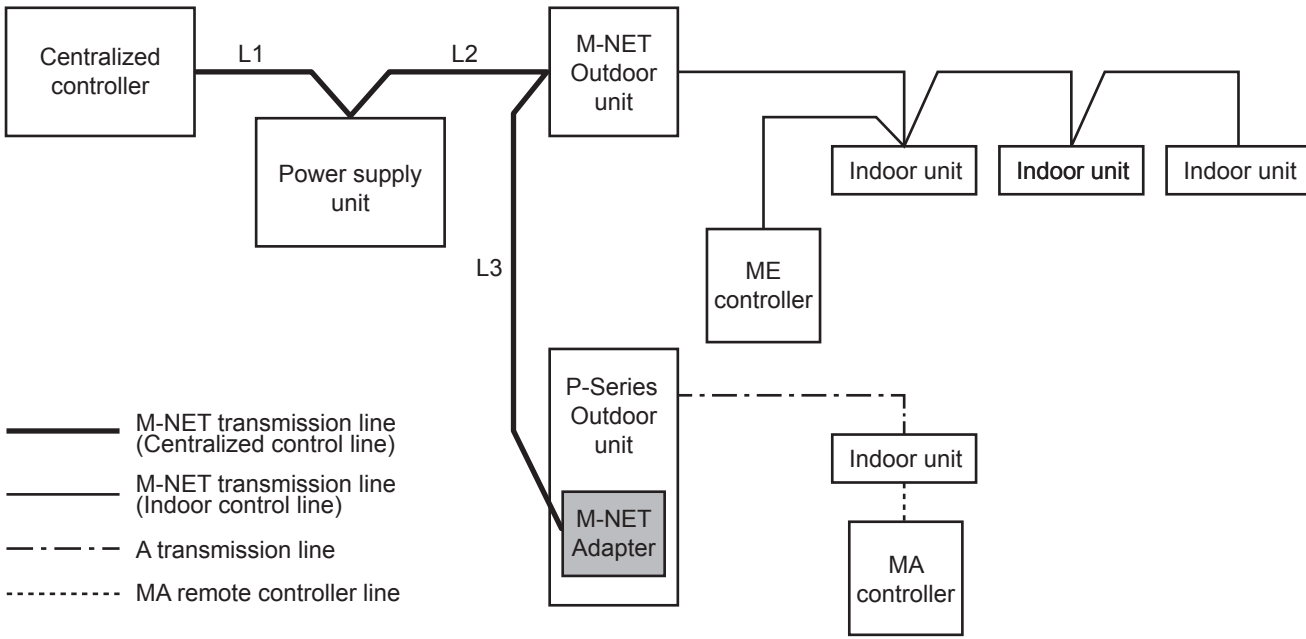
Table 1. LIST OF MODELS (PAC-SJ95MA-E)

Group A	Group B	Group E
PUY-A12,18NHA	PUZ/Y-A24,30,36,42NHA	PUZ/Y-A24,30NHA7(-BS)
PUY-A12,18NHA2	PUZ/Y-A24,30,36,42NHA2	PUZ/Y-A36,42NKA7(-BS)
PUY-A12,18NHA3	PUZ/Y-A24,30,36,42NHA3	
PUY-A12,18NHA4	PUZ/Y-A24,30,36,42NHA4	
PUY-A12,18NHA6(-BS)	PUZ/Y-A42NHA5	
PUZ-A18NHA	PUZ/Y-A24,30,36,42NHA6(-BS)	
PUZ-A18NHA2	PUZ/Y-A42NKA7(-BS)	
PUZ-A18NHA3	PUZ-HA30/36NHA	
PUZ-A18NHA4	PUZ-HA30/36NHA2	
PUZ-A18NHA6(-BS)	PUZ-HA30/36NHA4	
	PUZ-HA30/36NHA5	
	PUZ-HA42NKA	

Table 2. LIST OF MODELS (PAC-SJ96MA-E)

Group A
PUZ-A12,18NKA7(-BS)
PUY-A12,18NKA7(-BS)

PAC-SJ95MA-E/PAC-SJ96MA-E, CONT.



Maximum power feeding length for the centralized control line:

L1 \leq 200 m (656 ft)

L2 + L3 \leq 200 m (656 ft)



1340 Satellite Boulevard, Suwanee, GA 30024
Toll Free: 800-433-4822 www.mehvac.com

FORM# PAC-SJ95MA-E/PAC-SJ96MA-E - 201901