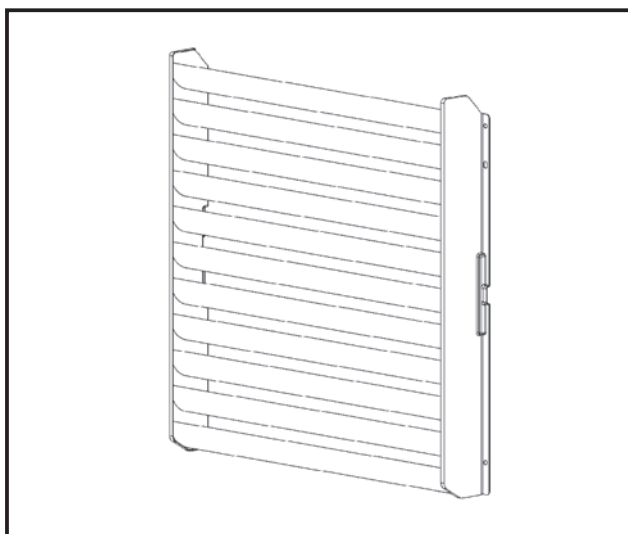


Figure



Descriptions

The air outlet guide changes the direction of air from the outdoor unit and prevents short cycling.

Applicable Models

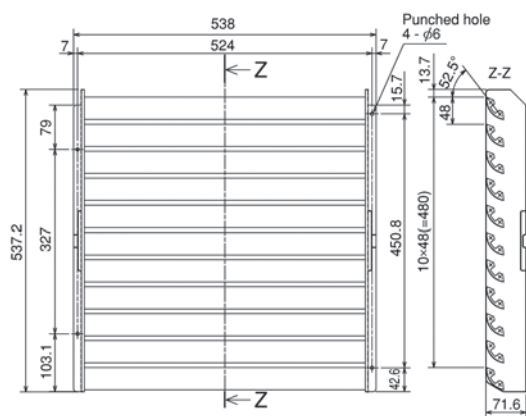
MUZ-FH09NA, MUZ-FH12NA
 MUZ-GE09NA, MUZ-GE12NA
 MUZ-GE15NA
 MUY-GE09NA, MUY-GE12NA
 MUY-GE15NA
 MU-A09WA
 SUZ-KA09NA, SUZ-KA12NA
 SUZ-KA15NA

Specifications

Exterior	Color (Munsell)	Ivory (3.0Y 7.8/1.1)
	Surface treatment	Polyester resin coating
	Material	Alloy hot-dip zinc-coated carbon steel sheet
Weight	2.6kg	

Dimensions

Unit : mm



MAC-889SG

OPTIONAL PARTS

How to Use / How to Install

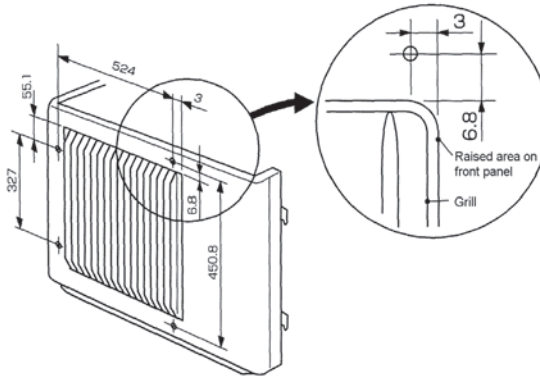
Selecting the installation location

- To select a location for installation, refer to "Selecting the installation location" in the installation manual included with the outdoor unit.

1. Preparations

For 800(W) x 550(H) x 285(D) outdoor units

- Remove the front panel from the outdoor unit.
 - Drill $\varnothing 4.0$ mm screw holes in the front panel at the 4 locations shown below.
- (Be sure to remove the front panel before drilling the holes. Otherwise, the heat exchanger and electrical components could be damaged if the drill bit goes too far into the unit).



2. Attaching the air outlet guide

- Install the front panel to the outdoor unit.
 - Install the air outlet guide to the outdoor unit using the 4 included screws.
- (Install the air outlet guide so that air blows upward.)

Note

- Be sure to securely tighten the screws. Otherwise, a chattering sound could be produced due to vibration.

