

MANUFACTURED FOR:
MITSUBISHI ELECTRIC US, INC.

Electric Heat Kit

for use with:

PV FY-P12, 18, 24, 30, 36, 48, 54NAMU-E(1)

MVZ-A12, 18, 24, 30, 36AA4(7)

PVA-A12, 18, 24, 30, 36, 42AA4(7)

Multi-Position Air Handler

PARTS MANUAL

English

CONTENT

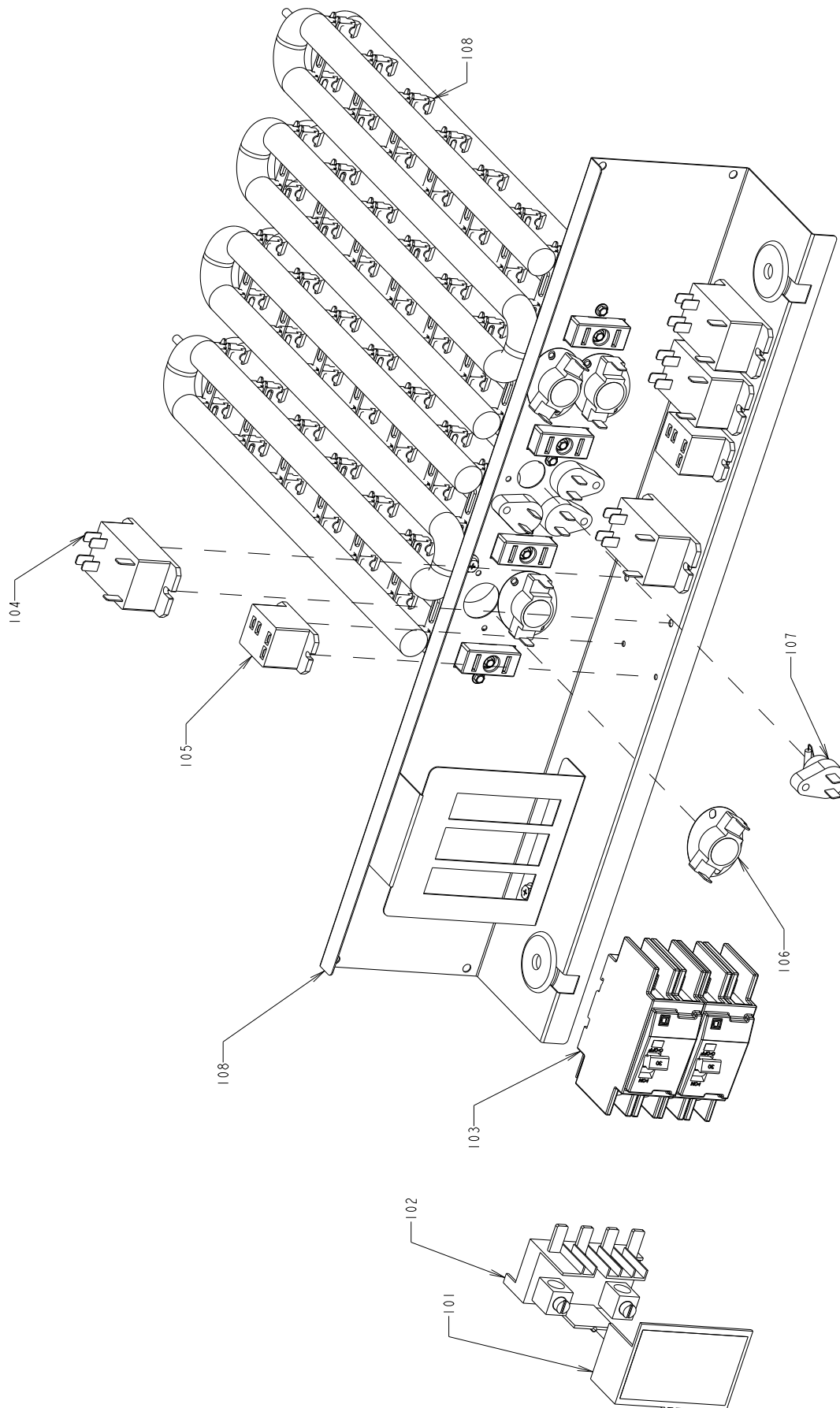
1. Diagrams	2
2. Parts List.....	5



1. Diagrams

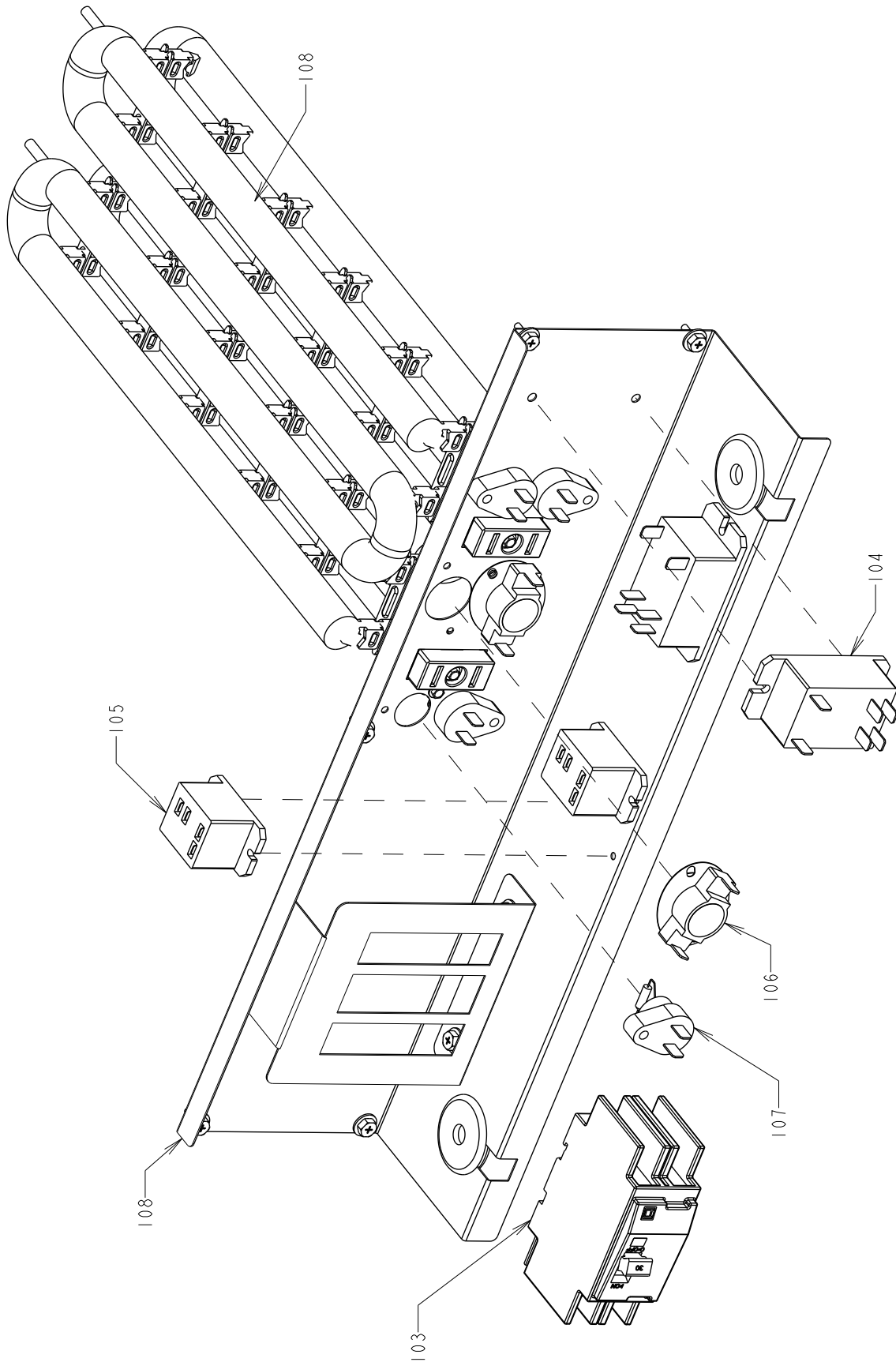
EH10-MPA-L, EH15-MPAS-L, EH17-MPAS-L

Actual configuration and number of components may differ from image shown below.



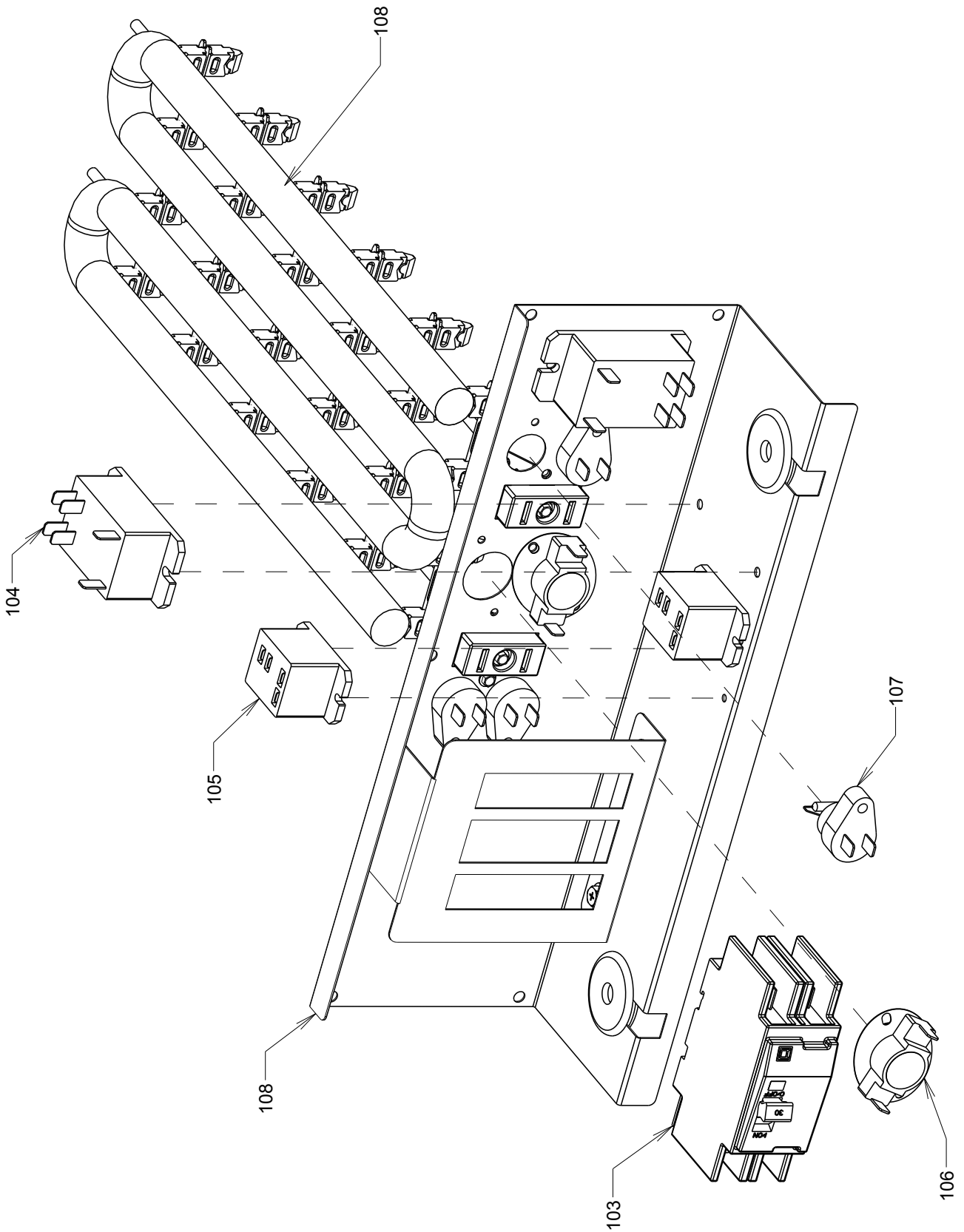
EH03-MPA-M, EH05-MPA-M, EH08-MPA-M, EH10-MPA-M

Actual configuration and number of components may differ from image shown below.



EH03-MPA-S, EH05-MPA-S, EH08-MPA-S

Actual configuration and number of components may differ from image shown below.



2. Parts List

External Parts

No.	Part No.	Part Name	Spec.	EH03-MPA-S	EH05-MPA-S	EH08-MPA-S	EH03-MPA-M	EH05-MPA-M	EH08-MPA-M	EH10-MPA-M	EH10-MPA-L	EH15-MPAS-L	EH17-MPAS-L	Notes for models	Revision info.
101	0200-137-003P	SINGLE POINT COVER										1	1		
102	0200-137-001P	SINGLE POINT BLOCK										1	1		
103	0200-155-002P	CIRCUIT BREAKER 20AMP		1			1								
103	0200-155-004P	CIRCUIT BREAKER 30AMP			1			1							
103	0200-155-006P	CIRCUIT BREAKER 40AMP										1			
103	0200-155-007P	CIRCUIT BREAKER 45AMP				1						1			
103	0200-155-008P	CIRCUIT BREAKER 50AMP							1				1		
103	0200-155-009P	CIRCUIT BREAKER 60AMP								1	1		1		
104	0200-213-001P	240VAC RELAY		1	1	2	1	1	2	2	2	4	4	relay 240VAC	
105	0200-213-002P	12VDC PILOT RELAY		1	1	2	1	1	2	2	2	2	2	relay 12VDC	
106	0200-217-001P	TOD 180/80											4	thermal overload	
106	0200-194-001P	TOD 160/45									2	4		thermal overload	
106	0200-222-001P	TOD 160/55								2				thermal overload	
106	0200-223-001P	TOD 150/55				2			2					thermal overload	
106	0200-183-001P	TOD 140/45			1			1						thermal overload	
106	0200-224-001P	TOD 120/45		1			1							thermal overload	
107	0200-218-001P	FUSIBLE LINK 117C											4	thermal fuse	
107	0200-200-001P	FUSIBLE LINK 110C				4								thermal fuse	
107	0200-196-001P	FUSIBLE LINK 104C								2		4		thermal fuse	
107	0200-150-001P	FUSIBLE LINK 98C							4		2			thermal fuse	
107	0200-086-001P	FUSIBLE LINK 93C			1									thermal fuse	
107	0200-228-001P	FUSIBLE LINK 77C						2						thermal fuse	
107	0200-221-001P	FUSIBLE LINK 72C		2			2							thermal fuse	
108	6000-140-501	HEATER ASSM 3KW SMALL		*										Complete heater assm	
108	6000-140-502	HEATER ASSM 5KW SMALL			*									Complete heater assm	
108	6000-140-503	HEATER ASSM 8KW SMALL				*								Complete heater assm	
108	6000-139-503	HEATER ASSM 3KW MEDIUM					*							Complete heater assm	
108	6000-139-504	HEATER ASSM 5KW MEDIUM						*						Complete heater assm	
108	6000-139-501	HEATER ASSM 8KW MEDIUM							*					Complete heater assm	
108	6000-139-502	HEATER ASSM 10KW MEDIUM								*				Complete heater assm	
108	6000-138-501	HEATER ASSM 10KW LARGE									*			Complete heater assm	
108	6000-138-502	HEATER ASSM 15KW LARGE										*		Complete heater assm	
108	6000-138-503	HEATER ASSM 17KW LARGE											*	Complete heater assm	

Notes:

* In the event of a heater coil/element failure, the entire heater assembly will have to be replaced. Item 108.

** All components individually packaged and labeled with Mitsubishi service part number

*** Actual configuration and number of components may differ from image shown on previous pages

This product is designed and intended for use in the residential,
commercial and light-industrial environment.

Please be sure to put the contact address/telephone number on
this manual before handing it to the customer.

Manufactured for MITSUBISHI ELECTRIC US, INC.

www.mitsubishielectric-usa.com

Toll Free: 800-433-4822