

Job Name: _____ Location: _____

Drawing Reference: _____ Schedule No. _____

System No.: _____ Date: _____

OVERVIEW OF CITY MULTI® CONTROLS NETWORK (CMCN)

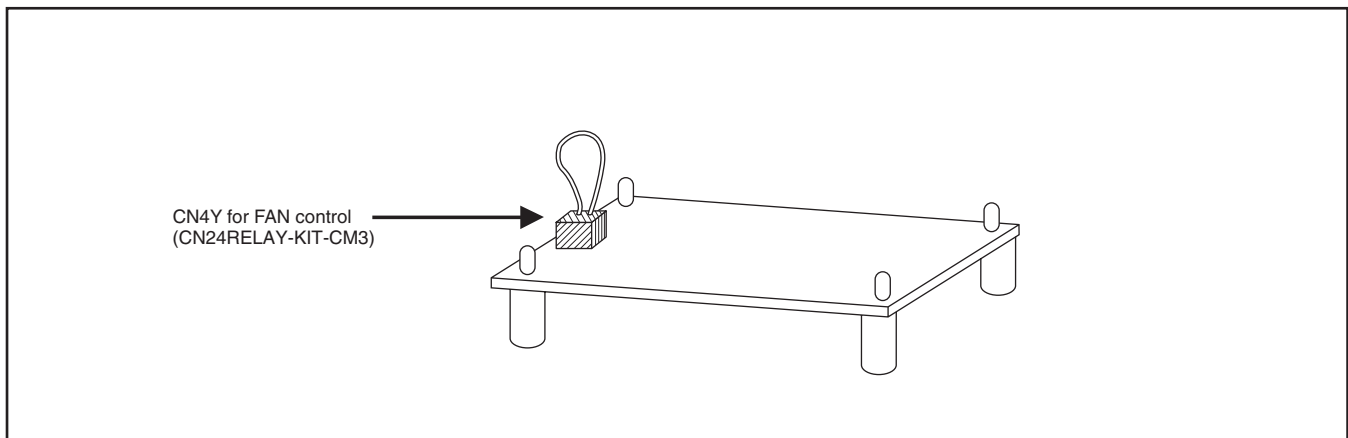
- Consists of TG-2000 integrated system software, AG-150/GB-50ADA/GB-24/TC-24 centralized controllers, web browsers, timers, remote controllers, and BMS interfaces.
- TG-2000 integrated system software supports up to 40 AG-150/GB-50ADA centralized controllers (licensed for PC software features) for a maximum of 2,000 indoor units from a single PC.
- AG-150 centralized controller operates up to 50 indoor units with optional control via a field-supplied PC with licensed software.
- GB-50ADA centralized controller operates up to 50 indoor units via a field-supplied PC with licensed software.
- GB-24 central controller operates up to 24 indoor units via a field-supplied PC with licensed software.
- TC-24 standalone centralized controller operates up to 24 indoor units via an integral touch screen interface.
- Remote controllers consist of Deluxe MA, Simple MA Wireless MA, and ME.
- I/O controllers consist of DIDO (PAC-YG66DCA) and AI (PAC-YG63MCA) for third-party equipment control.
- LonWorks® and BACnet® interfaces also available.
- Interlocking of LOSSNAY® ERV units for control via the AG-150/GB-50ADA/GB-24/TC-24 centralized controllers.

CN24RELAY-KIT-CM3 SPECIFICATIONS

- Coil Voltage: 12V DC
- Power Consumption: 0.9 W or less
- Maximum Distance: 32' (10m)
- Wire Size: 18 to 22 AWG

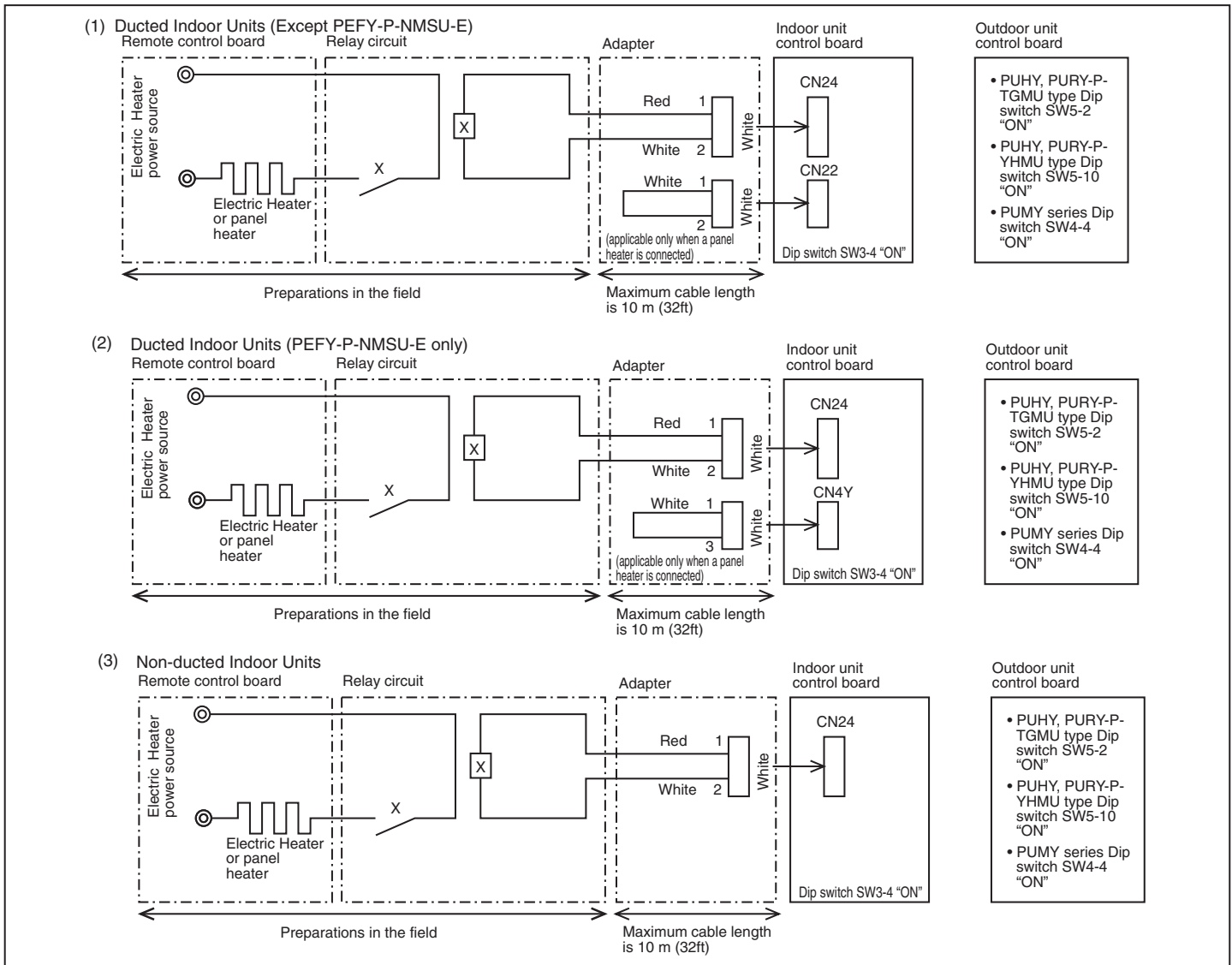
The CN-24RELAY-KIT-CM3 connects to CN24 on the indoor unit to provide external heat control through the CITY MULTI Controls Network.

FOR USE WITH CN4Y



Model: CN24RELAY-KIT-CM3

CN24RELAY-KIT-CM3 CONNECTIONS



Mitsubishi Electric Air Conditioning & Refrigeration Systems Works acquired ISO 9001 certification under Series 9000 of the International Standard Organization (ISO) based on a review of quality warranties for the production of refrigeration and air conditioning equipment.

ISO Authorization System
 The ISO 9000 series is a plant authorization system relating to quality warranties as stipulated by the ISO. ISO 9001 certifies quality warranties based on the "design, development, production, installation and auxiliary services" for products built at an authorized plant.



Mitsubishi Electric Air Conditioning & Refrigeration Systems Works acquired environmental management system standard ISO 14001 certification.

The ISO 14000 series is a set of standards applying to environmental protection set by the International Standard Organization (ISO).



HVAC Advanced Products Division

Mitsubishi Electric & Electronics USA, Inc.

3400 Lawrenceville Suwanee Rd.

Suwanee, GA 30024

Tele: 678-376-2900 • Fax: 800-889-9904

Toll Free: 800-433-4822 (#4)

www.mehvac.com

Specifications are subject to change without notice.