



DIAMONDBACK™

# BV-BB Series Ball Valves

- Engineered for Mini-split and Multi-split HVAC Units
- Full Port Design
- 700 PSIG Rated
- R-410A Compatible
- Brazed Connections

Model numbers:

- BV14BBS**
- BV38BBS**
- BV12BBS**
- BV58BBS**

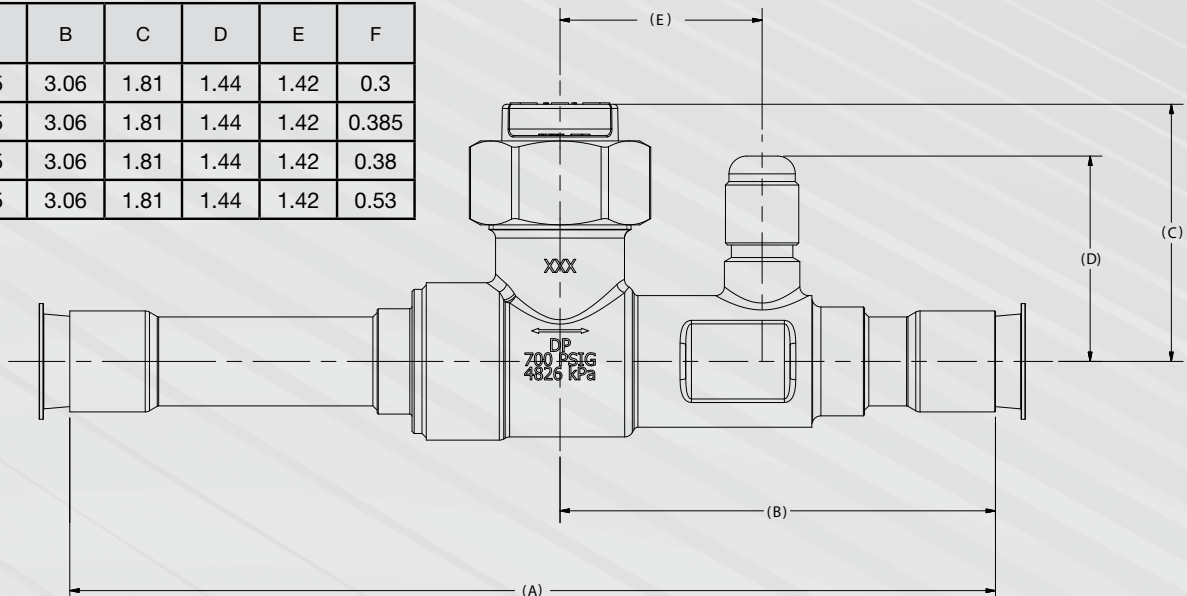
- Size available: 1/4"; 3/8"; 1/2"; 5/8"
- Fully factory assembled
- Furnace brazed and pressure tested
- Each ball valve is equipped with Schrader Valve for refrigerant service—valve rated to 700 psi
- Design working pressure: 700 PSIG
- Temperature range:  
-40° F to +325° F (-40° C to +149° C)
- Forged brass body and seal cap
- Teflon® seals and gaskets (no synthetic O-rings)
- Seal cap design permits valve operation without removal of seal cap
- Suitable for use with R-11, R-22, R-123, R-125, R-134A, R-236FA, R-4202A, R-402B, R-404A, R-407C, R-410A, R-500, R-502, and R-507
- One year limited materials and workmanship warranty on Ball Valves
- All components produced and assembled completely in the U.S.A.



\*ball valves come with an insulation piece



Part Number	SAE Flare	A	B	C	D	E	F
BB14BBSI	1/4"	6.5	3.06	1.81	1.44	1.42	0.3
BB38BBSI	3/8"	6.5	3.06	1.81	1.44	1.42	0.385
BB12BBSI	1/2"	6.5	3.06	1.81	1.44	1.42	0.38
BB58BBSI	5/8"	6.5	3.06	1.81	1.44	1.42	0.53





**DIAMONDBACK™**

# BV-BB Series Ball Valves (insulation details)



Product name: Ball valve insulation  
Product code: HKG-20HF

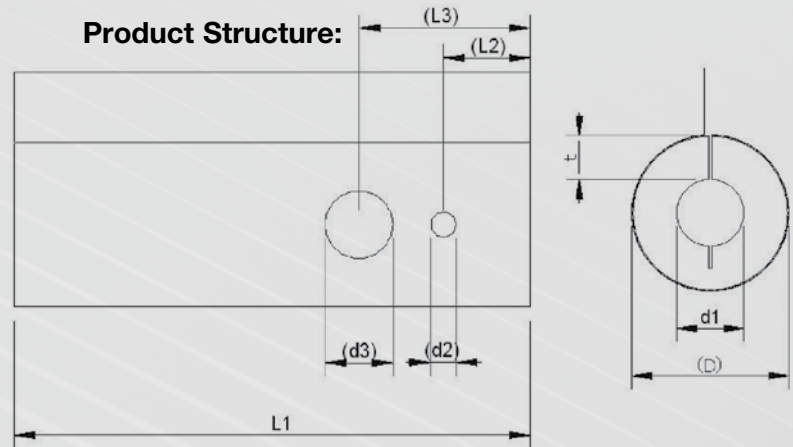
**Materials:**

1. Insulation  
Inner and outer layer Polyethylene foam (PEF)
2. Covering  
Adhesive tape of Polyvinyl chloride (PVC)
3. Separator  
Soft film of Polyvinyl chloride (PVC)

**Physical property:**

Insulation

**Product Structure:**



Unit: inches (mm)

Performance items	Unit	Performance
Density	lb/ft <sup>3</sup> (kg/m <sup>3</sup> )	1.87 (30)
Heat Conductivity (at 23° C)	W/m•K	0.040
Tensile Strength	N/cm <sup>2</sup>	23
Heat Resistant	° F (° C)	≤176 (≤ 80)
UL-94	-	HF-1

Product Code	d1	t	(D)	L1	(d2)	(d3)	(L2)	(L3)
HKG-20HF	1 3/8 (30)	3/4 (20)	2 3/4 (70)	8 9/16 220	7/8 (11)	1 9/64 (29)	1 15/32 (37)	2 7/8 (73)

For more information visit [www.mehvac.com](http://www.mehvac.com)

Manufactured for:



COOLING & HEATING

Form No. BVSheet\_2\_14